

ISO 6432
PNEUMATIC CYLINDERS
PME-A SERIES Ø16 - Ø25





PME-A SERIES

ISO 6432 - Ø16 - Ø25

MAGNETIC CYLINDER
WITH REAR SPRING

PROVIDES MINIMUM AIR
CONSUMPTION AND EQUIPMENT
COSTS



PME-A: SINGLE ACTING (SPRING ON BACK) MAGNETIC

Example of order:

PME-A
Product Code

25-050
Cylinder Ø
Stroke

FLM
Cylinder
Mountings

M2
Variants from
Standard System

VARIANTS FROM STANDARD SYSTEM:

- R1: Stainless Steel Piston Rod (SS 304-SS 316)
- R4: Stainless Steel Nut for Piston Rod (SS 304)
- R5: Piston Rod as CK45 (Hard Chrome Plated)
- M1: Extended male Piston Rod Thread
- M2: Female Piston Rod Thread
- M3: Special Piston Rod Thread
- M4: Extended Piston Rod
- E2: Stainless Steel Cylinder Covers (SS 304-SS316)
- K1: Seals for Max. 150°C (Viton)
- K3: Seals NBR
- K4: Piston Rod Seal Viton

Force:

| Cylinder Ø mm | Rod Ø mm | Thrust Force (N) | Thrust and traction forces (6 Bar) | | | | | |
|------------------|-------------|------------------------|------------------------------------|------|-----------|------|-----------|------|
| | | | Traction Force (N) | | | | | |
| | | | Stroke 10 | | Stroke 25 | | Stroke 50 | |
| | | F1 | F2 | F1 | F2 | F1 | F2 | |
| 16 | 6 | 83.5 | 19.7 | 21.5 | 17 | 21.5 | 12.5 | 21.5 |
| 20 | 8 | 141.5 | 21.7 | 23.5 | 18 | 23.5 | 13.5 | 23.5 |
| 25 | 10 | 234.5 | 29.7 | 31.5 | 26.3 | 31.5 | 20.7 | 31.5 |

Working Fluid:

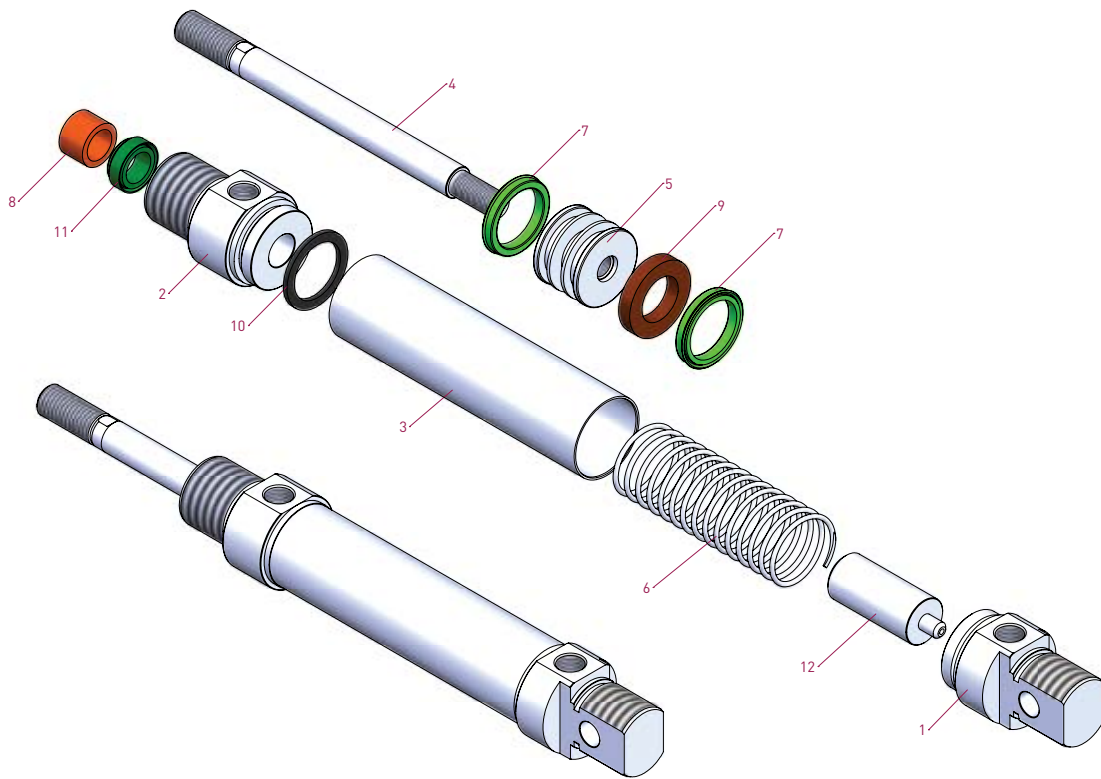
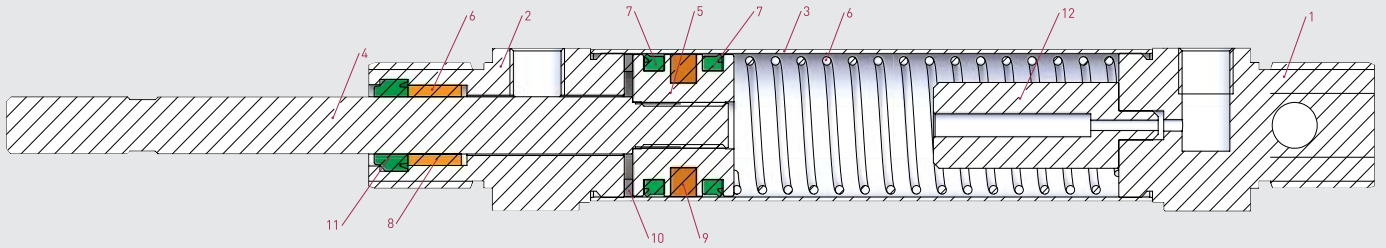
Filtered and lubricated or filtered and not lubricated air

Operating Temperature Range:

Polyurethane (PU) : (-20°C) - (+80°C)
Viton (FKM) : (-30°C) - (+150°C)

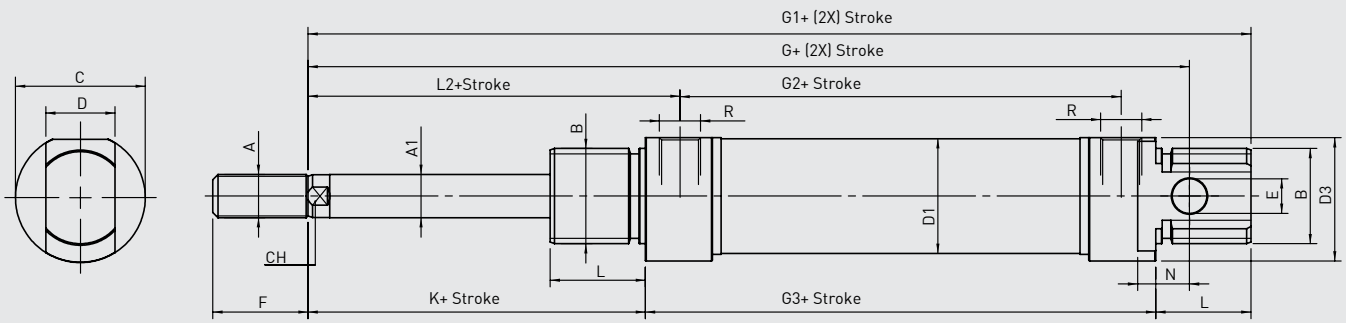
Max. Work Pressure:

10 Bar



| No | MATERIAL NAME | CHARACTERISTIC | PC. |
|----|---------------|------------------|-----|
| 1 | Rear Head | Aluminium | 1 |
| 2 | Front Head | Aluminium | 1 |
| 3 | Tube | SS 304 | 1 |
| 4 | Piston Rod | SS 303 | 1 |
| 5 | Middle Piston | Brass | 1 |
| 6 | Spring | Galvanized Steel | 1 |

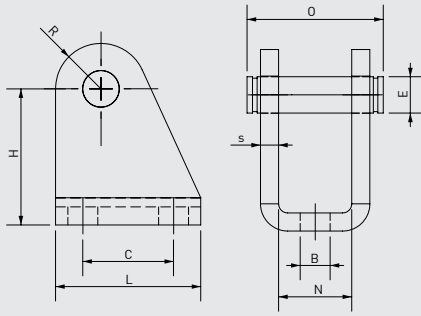
| No | MATERIAL NAME | CHARACTERISTIC | PC. |
|----|---------------|-------------------|-----|
| 7 | Piston Seal | PU | 2 |
| 8 | Guidind Bush | Sinterized Bronze | 1 |
| 9 | Magnet | | 1 |
| 10 | Buffer | NBR | 1 |
| 11 | Rod Seal | PU | 1 |
| 12 | Spring Rod | Aluminium | 1 |



PME-A SERIES
ISO 6432 - Ø16 - Ø25

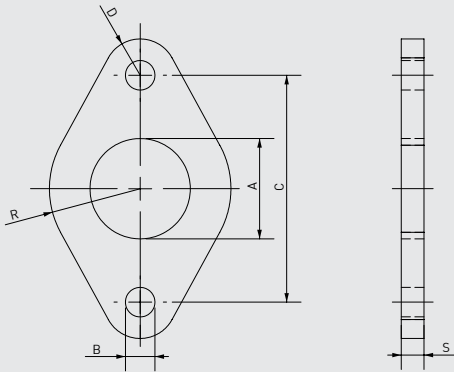
| Cylinder Ø mm | A | A1 | B | C | D | D1 | D3 | E | F | G | G1 | G2 | G3 | K | L | L2 | N | CH | R |
|------------------|----------|----|---------|----|----|-------|------|---|----|-----|-----|------|------|----|----|----|----|----|--------|
| 16 | M6 | 6 | M16x1.5 | 19 | 12 | 17,27 | 18 | 6 | 16 | 113 | 124 | 73,5 | 82 | 22 | 18 | 27 | 9 | 5 | M5 |
| 20 | M8 | 8 | M22x1.5 | 27 | 16 | 21,27 | 25,5 | 8 | 20 | 128 | 144 | 84,5 | 98,5 | 24 | 20 | 32 | 12 | 7 | 1/8" G |
| 25 | M10x1.25 | 10 | M22x1.5 | 30 | 16 | 26,5 | 28,5 | 8 | 22 | 137 | 151 | 85 | 99,5 | 28 | 22 | 36 | 12 | 9 | 1/8" G |

SF SWIVEL FLANGE



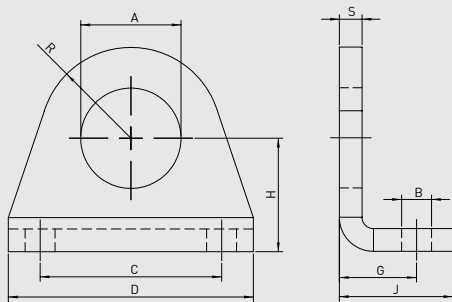
| Cylinder Ø mm | B H13 | E f8 | C JS13 | H ±0.2 | L | N E9 | O | R max | S ±0.2 |
|------------------|----------|---------|-----------|-----------|----|---------|------|----------|-----------|
| 8-10 | 4,5 | 4 | 12,5 | 24 | 20 | 8,1 | 17 | 5 | 2,5 |
| 12-16 | 5,5 | 6 | 15 | 27 | 25 | 12,1 | 23 | 7 | 3 |
| 20-25 | 6,6 | 8 | 20 | 30 | 32 | 16,1 | 29,5 | 10 | 4 |

FM FLANGE MOUNTING



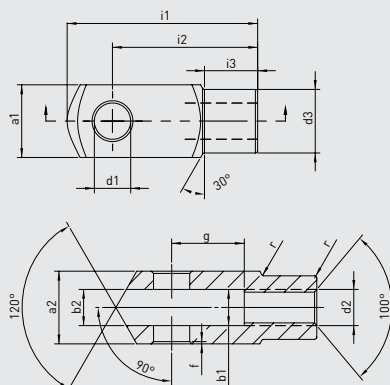
| Cylinder Ø mm | A +0.3 +0.1 | B H13 | C JS13 | R ±0.2 | G ±0.2 | S ±0.2 |
|------------------|-------------------|----------|-----------|-----------|-----------|-----------|
| 8-10 | 12 | 4,5 | 30 | 11 | 5 | 3 |
| 12-16 | 16 | 5,5 | 40 | 15 | 6 | 4 |
| 20-25 | 22 | 6,6 | 50 | 20 | 8 | 5 |

FM FOOT MOUNTING

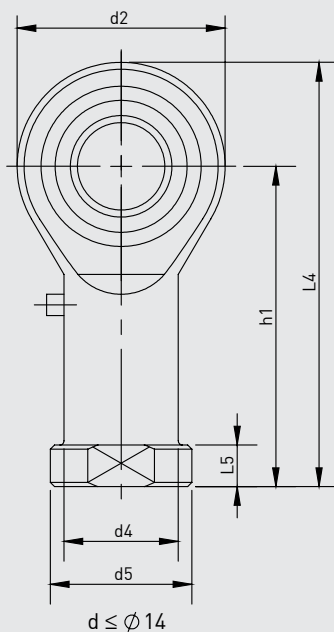
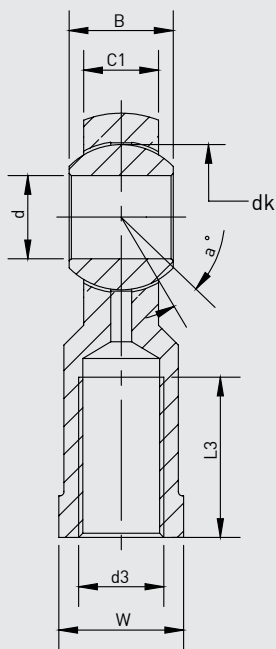


| Cylinder Ø mm | A +0.2 +0.1 | B H13 | C JS13 | D | G +0.3 0 | H ±0.2 | J | R max | S ±0.2 |
|------------------|-------------------|----------|-----------|----|----------------|-----------|----|----------|-----------|
| 8-10 | 12 | 4,5 | 25 | 35 | 11 | 16 | 16 | 10 | 3 |
| 12-16 | 16 | 5,5 | 32 | 42 | 14 | 20 | 20 | 12,5 | 4 |
| 20-25 | 22 | 6,6 | 40 | 54 | 17 | 25 | 25 | 20 | 5 |

RC ROD CLEVIS



| Cylinder Ø mm | d1 H9 | g ±0.5 | a1 h11 | a2 +0.3 -0.16 | b1 B13 | b2 | d2 6H | d3 ±0.3 | f ±0.2 | i1 ±0.5 | i2 | i3 ±0.2 | r |
|------------------|----------|-----------|-----------|---------------------|-----------|----|----------|------------|-----------|------------|----|------------|-----|
| 8-10 | 4 | 8 | 8 | 8 | 4 | 4 | M4x0.70 | 8 | 0,5 | 21 | 16 | 6 | 0,5 |
| 12-16 | 6 | 12 | 12 | 12 | 6 | 6 | M6x1.00 | 10 | 0,5 | 31 | 24 | 9 | 0,5 |
| 20 | 8 | 16 | 16 | 16 | 8 | 8 | M8x1.25 | 14 | 0,5 | 42 | 32 | 12 | 0,5 |
| 25 | 10 | 20 | 20 | 20 | 10 | 10 | M10x1.25 | 18 | 0,5 | 52 | 40 | 15 | 0,5 |



| Part No. | Dimensions (mm) | | | | | | | | | | | | | |
|----------|-----------------|----------|----|------|----|-----------|----|----|----|-----|------|----|--------|----|
| | d | d3 6H | B | C1 | w | L3 min | d2 | L4 | h1 | L5 | d4 | d5 | dk | a° |
| KMB 6 | 6 | M6x1.0 | 9 | 6,75 | 11 | 12 | 18 | 39 | 30 | 5 | 10 | 13 | 12,7 | 13 |
| KMB 8 | 8 | M8x1.25 | 12 | 9 | 14 | 16 | 22 | 47 | 36 | 5 | 12,5 | 16 | 15,875 | 14 |
| KMB 10-1 | 10 | M10x1.25 | 14 | 10,5 | 17 | 20 | 26 | 56 | 43 | 6,5 | 15 | 19 | 19,05 | 13 |